

MAXBENCH

Extra wide and deep
for bathing comfort
and enjoyment

Built to support up to
1,000 lbs.



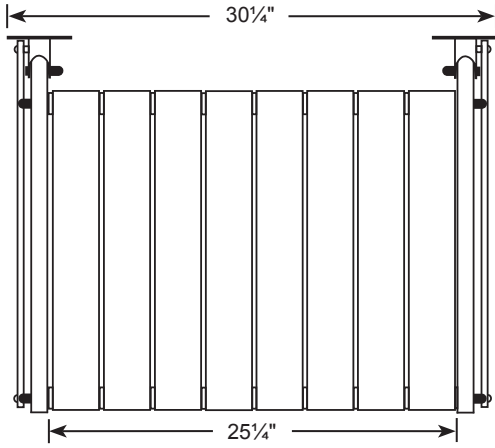
Fold against wall to
save space and ease
access to shower

Stainless steel and
polypropylene are
easy to clean
and maintain

Adjust legs and feet
to position bench at
preferred height

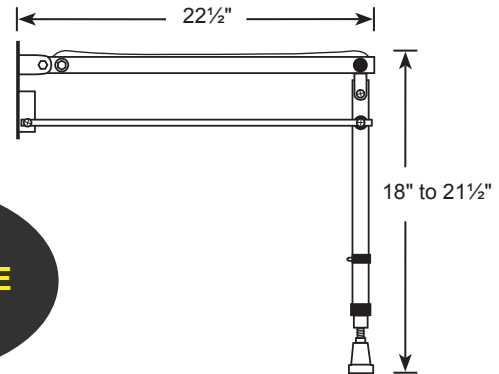
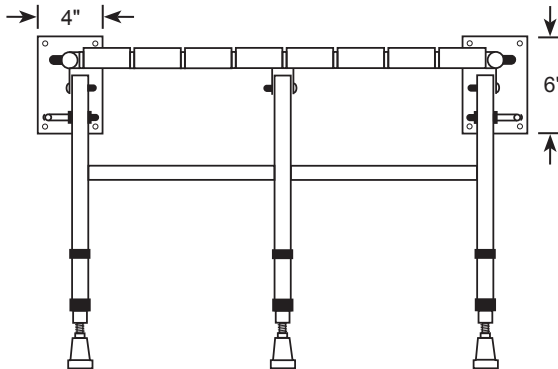
Fasten to a wall reinforced
with stout wood blocking,
concrete, or concrete block

*A sturdy, robustly constructed fold-up shower seat
that provides greater security and comfort.*



Heavy gauge stainless steel legs and frame form a very rigid, muscular structure built for universal accessibility.

Item Code:
BB1000-WH



**NEW
EXCLUSIVE
DESIGN**

curbless THE NEW NORMAL

MaxBench is ARC's latest innovation for improving bathing style, comfort, and accessibility for everyone. Shower with confidence sitting on this durable, trustworthy bench that eases daily hygiene tasks and helps make bathing more relaxing and enjoyable.

- *rated to support up to 1,000 lbs. (for a seated occupant)*
- *generously sized seat increases comfort, balance, and security*
- *MaxBench folds against the wall to save space and improve access*
- *adjust legs in 1" increments to mount bench at a comfortable height*
- *legs automatically swing into position when bench is raised or lowered*
- *protective feet offer fine-tune adjustment to compensate for slope of floor*
- *rugged, smooth polypropylene benchtop slats enable movement with less effort*
- *all surfaces are quick to clean and maintain (use a mild detergent and a sponge; flush after cleaning)*
- *fasteners not included (use 1/4" dia. fasteners; stainless steel recommended in wet area installations)*
- *in seating position, legs must be vertical (plumb), and bench must be level (to maintain 90° orientation between bench frame and legs)*
- **contact ARC today ... 1-877-319-6521 or info@arcfirst.net**

**DESIGN
WITHOUT
BARRIERS**
ARC inc.

